



TURBO VENTURA

Product Description

A wind driven ventilator made from UV resistant engineering polymers with a vertical vane design.

Benefits

Removing warm / stale air and moisture from roof space or sheds.

Applications

Roof Space ventilation for houses and sheds with metal or tiled roofs.

SKU Table

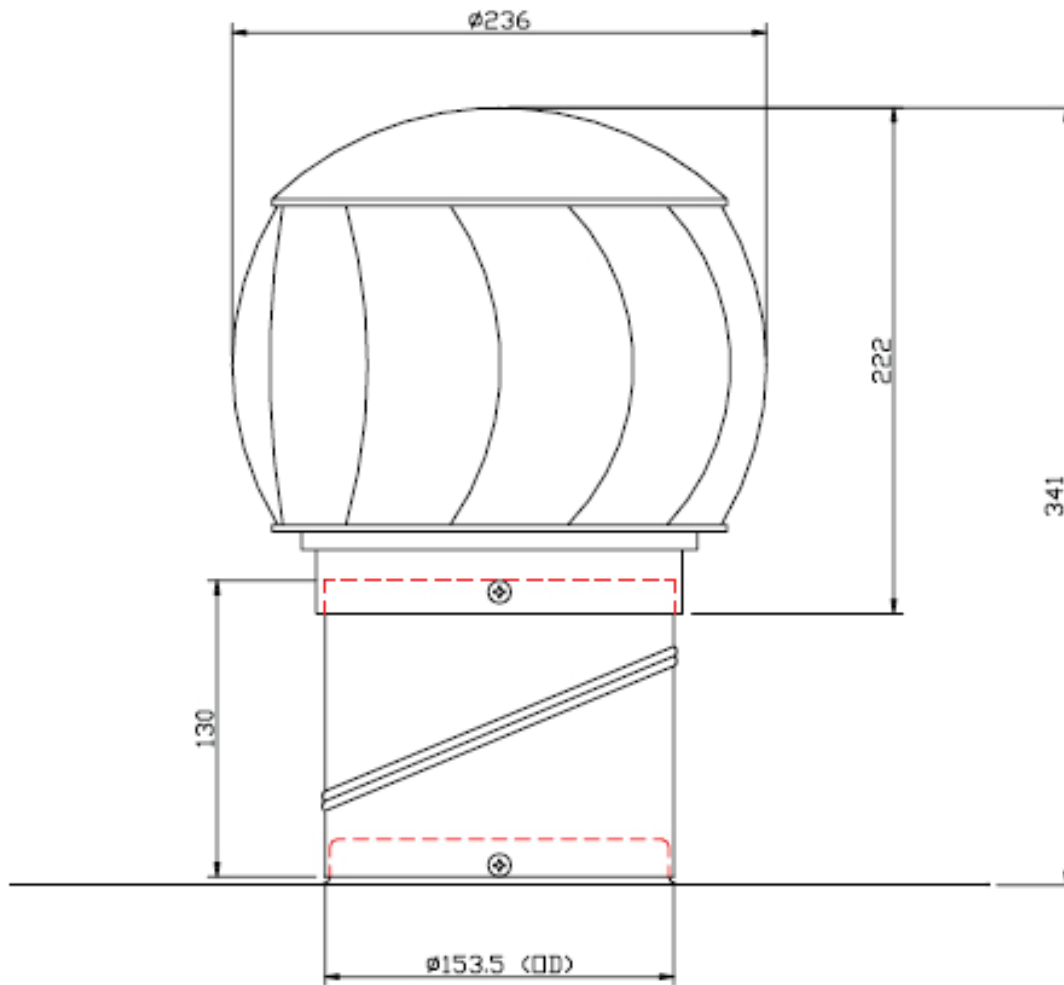
Throat Diameter [mm]	Colour	Product Number
150	1	61375

Note: Not all products available as stock items. Contact your Bradford Insulation office for stock availability, minimum order quantities and lead times. Standard packaging is a polythene bag. Nominal density 32kg/m³.

Physical Properties

Turbine	ASA Plastic
Dome	ASA Plastic
Bearings	twin 608ZZ ball bearings (high carbon chromium steel)
Shaft	Aluminium
Internal Support Ring/Brackets/Housings	Polycarbonate
Varipitch	5005 Aluminium
Flashing	500x500x0.7mm soft 5005 aluminium
Weight- Top	0.7kg
Weight- Varipitch	0.1kg
Weight- Flashing	0.4kg
Weight- Total	1.2kg
Wind Speed Rating	205.2 km/h
Warranty	5 yrs

TURBO VENTURA



TURBO VENTURA – DATA SHEET

Bradford™
for smarter environments

CSR Bradford Insulation
55 Stennett Rd, Ingleburn NSW 2565 Australia.

Telephone 1300 858 674

www.edmonds.com.au

CSR Bradford Insulation is a business division of CSR Building Products Limited ABN 55 008 631 356

The contents of this brochure are copyright protected and may not be reproduced in any form without prior written consent of CSR Bradford Insulation. Recommendations and advice regarding the use of the products described in this brochure are to be taken as a guide only, and are given without liability on the part of the company or its employees. We reserve the right to change product specifications without prior notification, please refer to the Bradford website for the latest version of this document. The purchaser should independently determine the suitability of the product for the intended use and application.